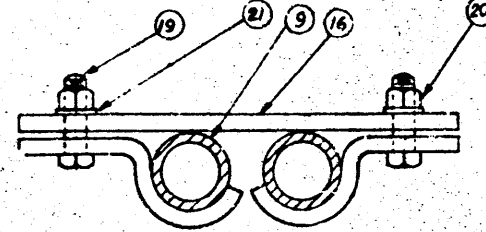
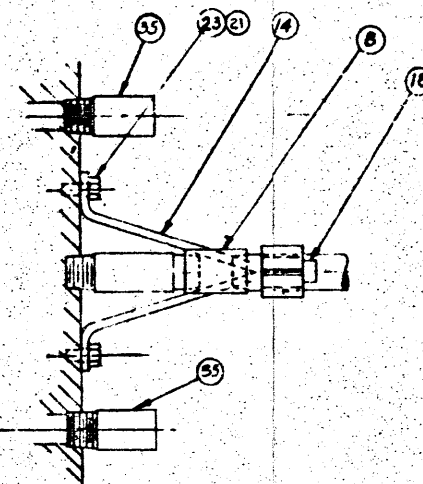


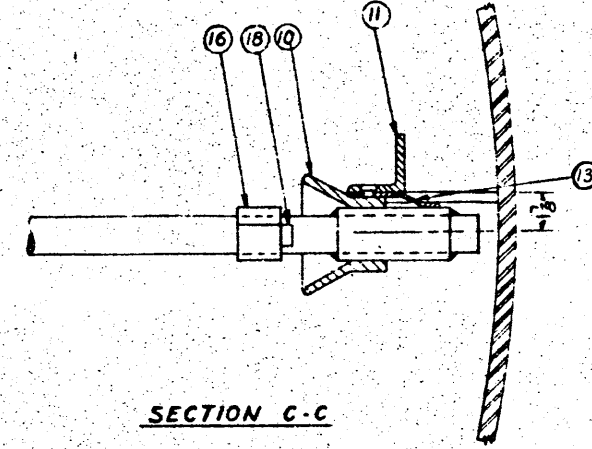
SECTION D-D



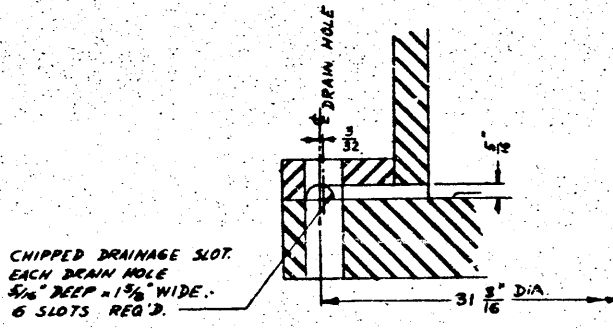
SECTION E-E



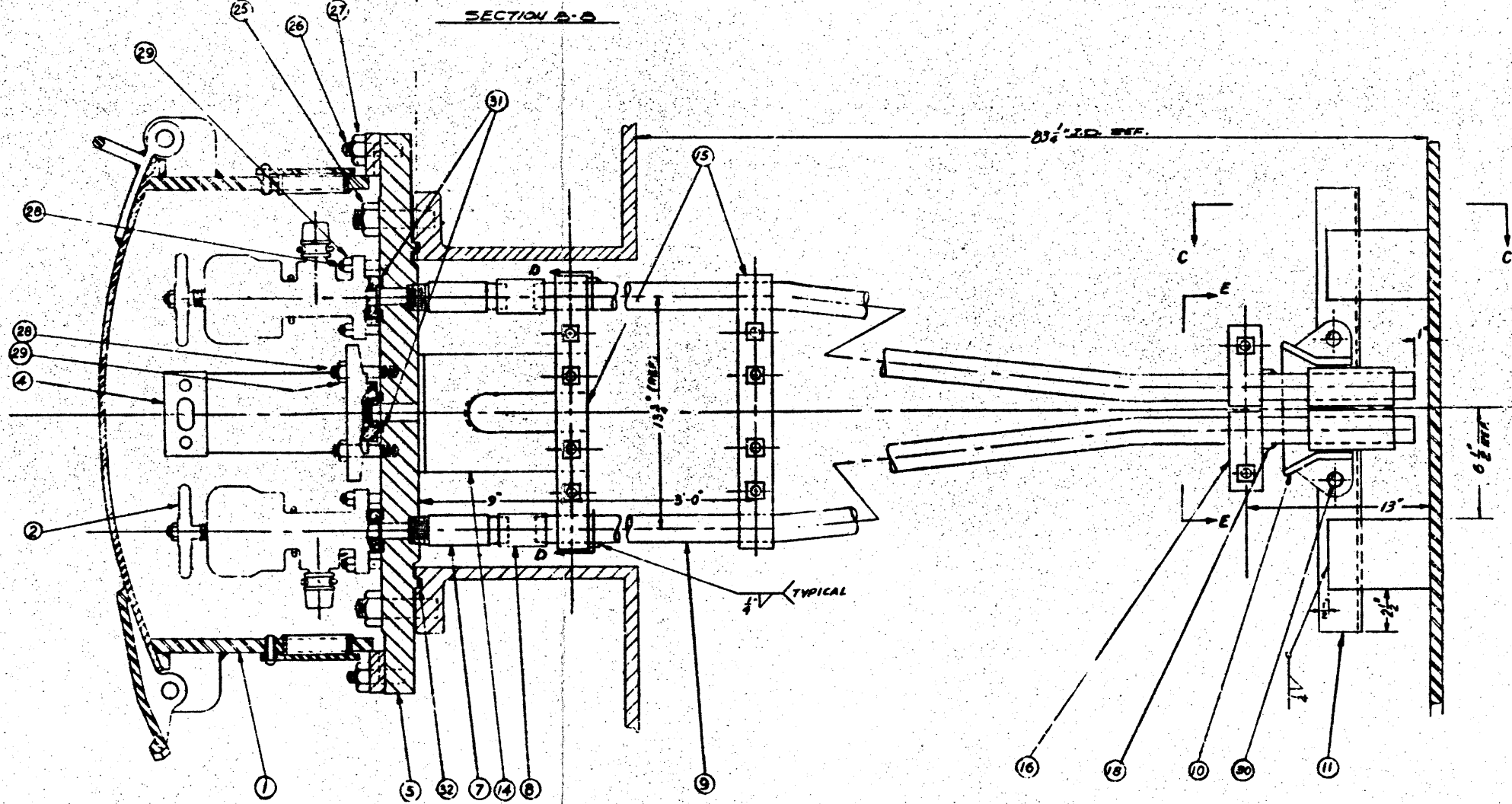
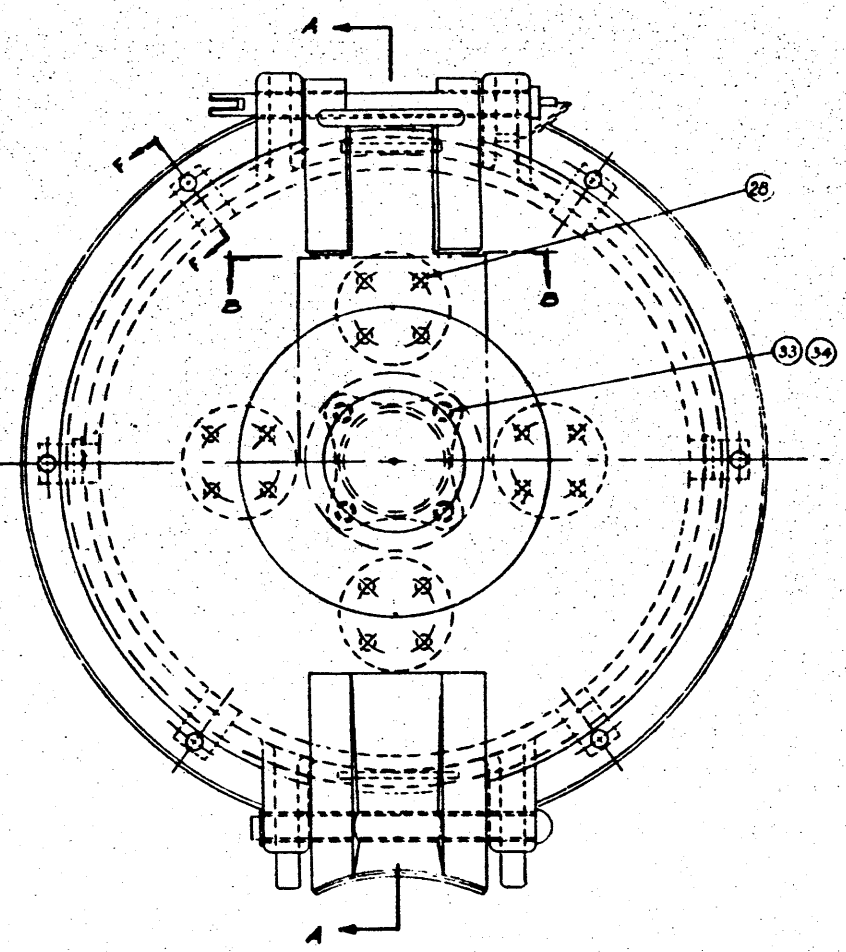
SECTION A-A



SECTION C-C



SECTION F-F



SECTION A-A

BILL OF MATERIAL			
QTY	DWG NO	DESCRIPTION	MATERIAL
1	13-0652	1 DOME HOUSING ASSEMBLY	STL
2		1" ANGLE VALVE, ACFT TYPE 1301	STL
3			
4		1 SAFETY VALVE - 375° CROSBY DWG. NO. D-38615, WITH BREAKING PIN ASY	STL
5	F-4178	1 DOME COVER	STL
6			
7		2 1/2" CHECK VALVE - ACFT 1418	MONEL
8		2 1/2" SCH 80 RECESSED BOLA STL PIPE COUPLING	STL
9	F-3488 L-5	2 1/2" INDUCTION OR EDUCTION PIPE	STL
10	UTL-221 L-1	1 EDUCTION PIPE ANCHOR	STL
11	F-1220 L-3	1 EDUCTION PIPE SUPPORT	STL
12			
13	F-1149 L-1	2 ANCHOR SPRING ANTI-RATTLER	STL
14	F-4227	2 ANCHOR BRACE FOR EDUCTION & INDUCTION PIPE	WTL
15	F-3038	4 TOP PIPE CLAMP	STL
16	F-3037	1 BOTTOM PIPE CLAMP	STL
17			
18	F-3039	6 PIPE CLAMP STOPS	STL
19		2 1/2" x 1/2" x 1/2" UNFIN. GR HD BOLTS	STL
20		10 1/2" x 1/2" UNFIN. GR HD NUTS	STL
21		14 1/2" x 1/2" UNFIN. GR HD WASHERS	STL
22		8 1/2" x 3/8" UNFIN. GR HD BOLT	STL
23		4 1/2" x 1/2" UNFIN. GR HD BOLT	STL
24			
25		20 1/2" HEAVY SEMI-FINISHED HEX NUTS	STN STL
26	F-1007	20 DOME HOUSING STUD BOLTS	NI STL
27		20 1/2" HEAVY SEMI-FINISHED HEX NUTS	STL
28	F-3033 L-1	16 ANGLE VALVE STUD BOLTS	NI STL
29		16 1/2" HEAVY SEMI-FINISHED HEX NUTS	S.S.
30		2 1/2" x 2 1/2" BUTTOM HEAD RIVETS	STL
31	B-191 L-5	3 BASKETS	STL
32	B-191 L-6	1 DOME COVER GASKET	STL
33	F-3466	2 SAFETY VALVE STUD BOLT	NI STL
34		4 1/2" HEAVY SEMI-FINISHED HEX NUTS	S.S.
35		2 1/2" SCH. 80 PIPE NIPPLE #6 LG. TOL.	STL

1708
1661
1508
1504
1451
DTL 54
1342
1393
APPRO.

UNION TANK CAR CO.
DOME ARR'Y & FITTINGS
ICC 105-A-500-W CARS
CHLORINE SERVICE

DWG. NO. 4-10060
DATE 5-25-63 RHL
REPRO OF 4-5381

P120X 87739.