

Copyright Reserved

The Contractor shall verify and be responsible for all dimensions. DO NOT scale the drawing - any errors or omissions shall be reported to Stantec without delay.
 The Copyrights to all designs and drawings are the property of Stantec. Reproduction or use for any purpose other than that authorized by Stantec is forbidden.

Consultants

Legend

Notes

Record Document

This set of record documents shows the reported location of the work and significant changes made during the construction process. Because these documents are based on unverified information provided by other parties which will be assumed reliable, Stantec cannot and does not warrant their accuracy.

Revision	By	Appd.	YY.MM.DD
E	KFK	CFM	14.05.29
D	JCY	CFM	14.03.06
C	JCY	CFM	14.01.10
B	PIO	RDS	13.01.10
A	PIO	RDS	12.12.06

Revision	By	Appd.	YY.MM.DD
D	JCY	CFM	14.03.06
C	JCY	CFM	14.01.10
B	PIO	RDS	13.01.10
A	PIO	RDS	12.12.06

File Name: _____
 Dwn. Chkd. Dsgn. YY.MM.DD

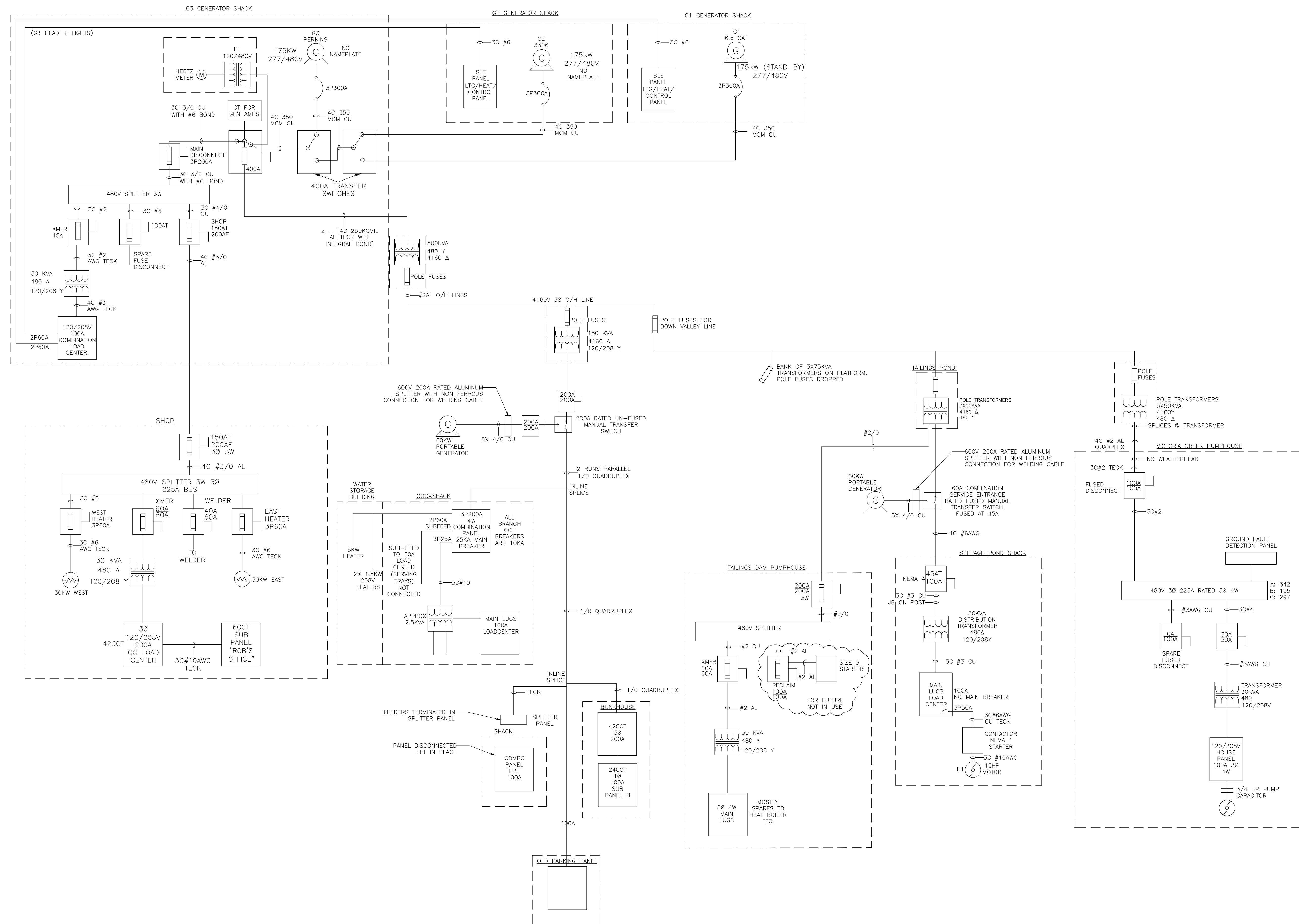
Client/Project

Mt. Nansen Electrical

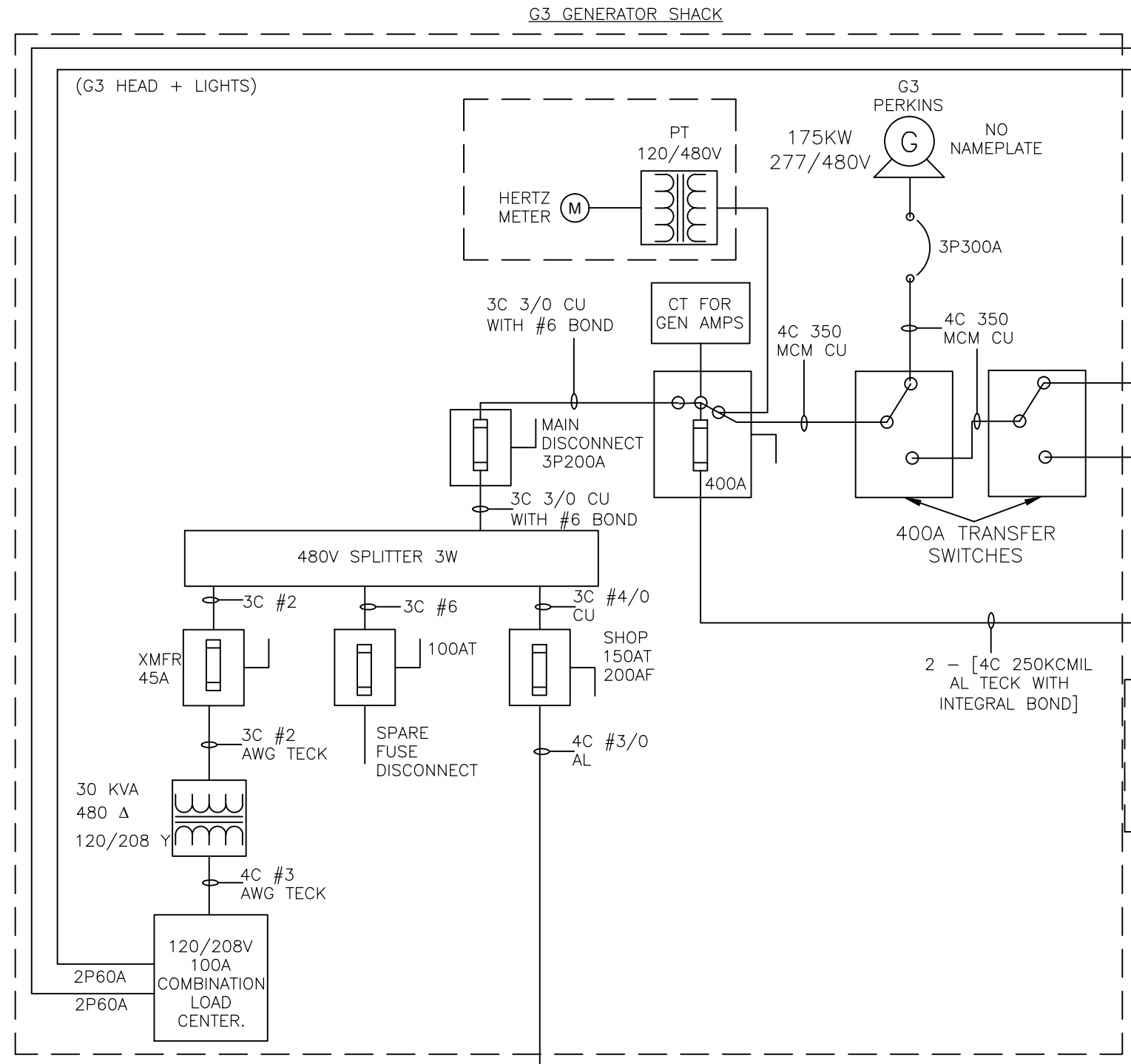
Whitehorse, YT

Title
EXISTING SINGLE LINE DIAGRAM

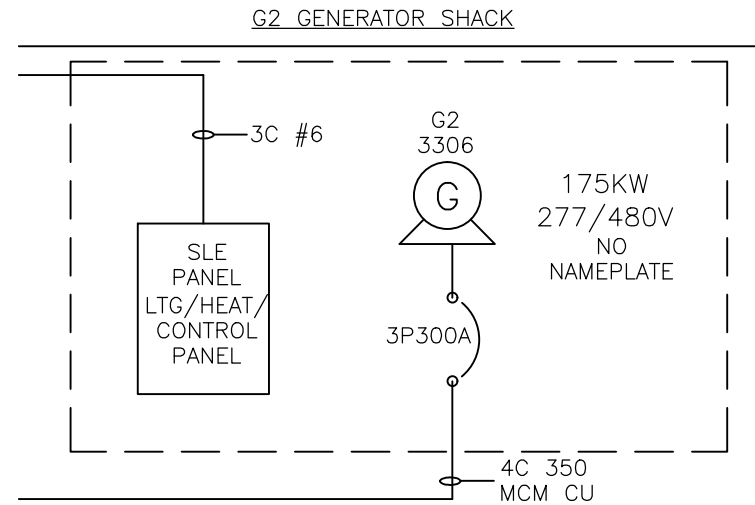
Project No. 144901696	Scale NTS
Drawing No.	Sheet Revision



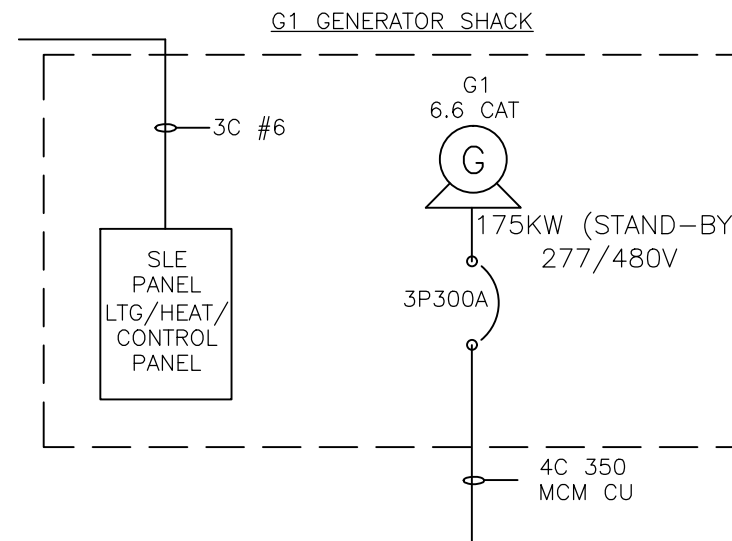
V:\1449\active\144901696\0400_elect\06_drawings\Full Single Line Diagram\Working\efp696.dwg
 2014/06/03 2:08 PM By: Youngs, Jordan



01 G3 GENERATOR SHACK
 E-02 SCALE: NTS



02 G2 GENERATOR SHACK
 E-02 SCALE: NTS



03 G1 GENERATOR SHACK
 E-02 SCALE: NTS

ORIGINAL SHEET - ANSI B

March, 2014
 144901696



Stantec Architecture Ltd.
 107 Main Street, Suite 202
 Whitehorse YT Canada
 Y1A 2A7
 Tel. 867.633.2400
 Fax. 867.633.2481
 www.stantec.com

Legend

Notes

Record Drawing

These drawings have been prepared based on information provided by others. Stantec has not verified the accuracy and/or completeness of this information and shall not be responsible for any errors or omissions which may be incorporated herein as a result.

Client/Project

Mt. Nansen Electrical
 Whitehorse, YT

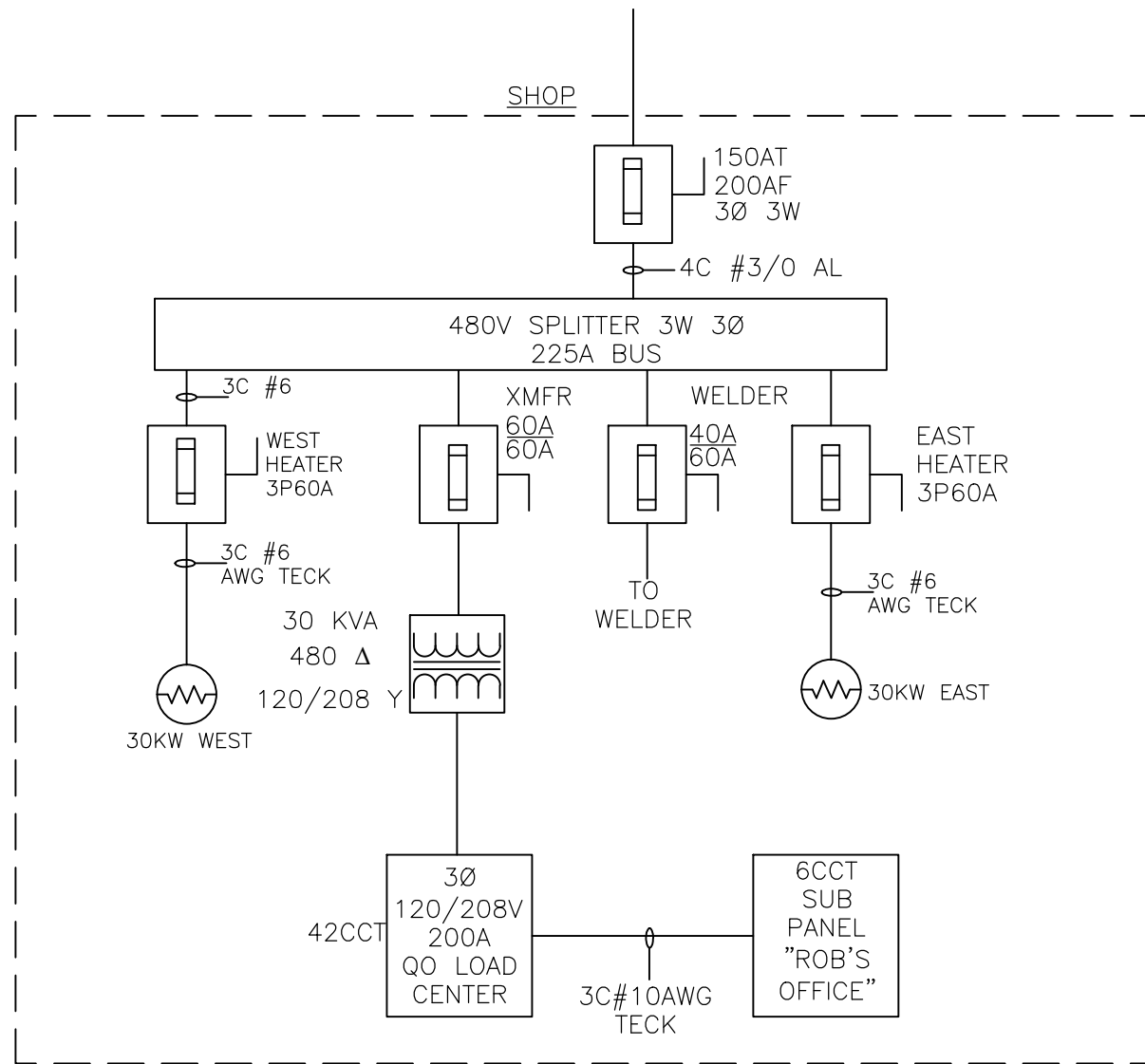
Figure No.

E02

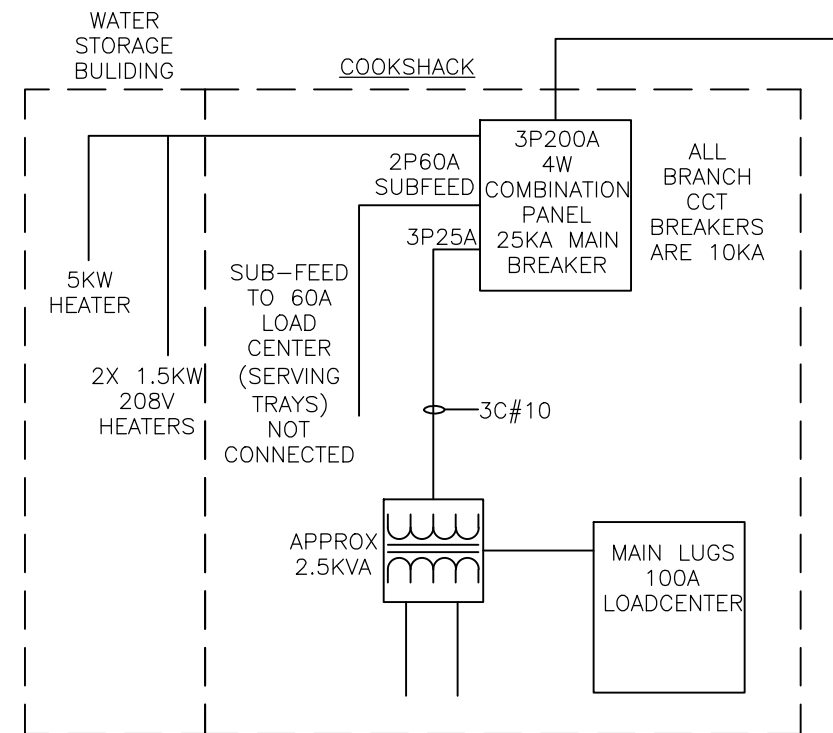
Title

GENERATOR SHACK

V:\1449\active\144901696\0400_elect\06_drawings\Full Single Line Diagram\Working\efp696.dwg
2014/06/03 2:08 PM By: Youngs, Jordan



01 SHOP
E-03 SCALE: NTS



02 COOKSHACK
E-03 SCALE: NTS

ORIGINAL SHEET - ANSI B

March, 2014
144901696



Stantec Architecture Ltd.
107 Main Street, Suite 202
Whitehorse YT Canada
Y1A 2A7
Tel. 867.633.2400
Fax. 867.633.2481
www.stantec.com

Legend

Notes

Record Drawing

These drawings have been prepared based on information provided by others. Stantec has not verified the accuracy and/or completeness of this information and shall not be responsible for any errors or omissions which may be incorporated herein as a result.

Client/Project

Mt. Nansen Electrical
Whitehorse, YT

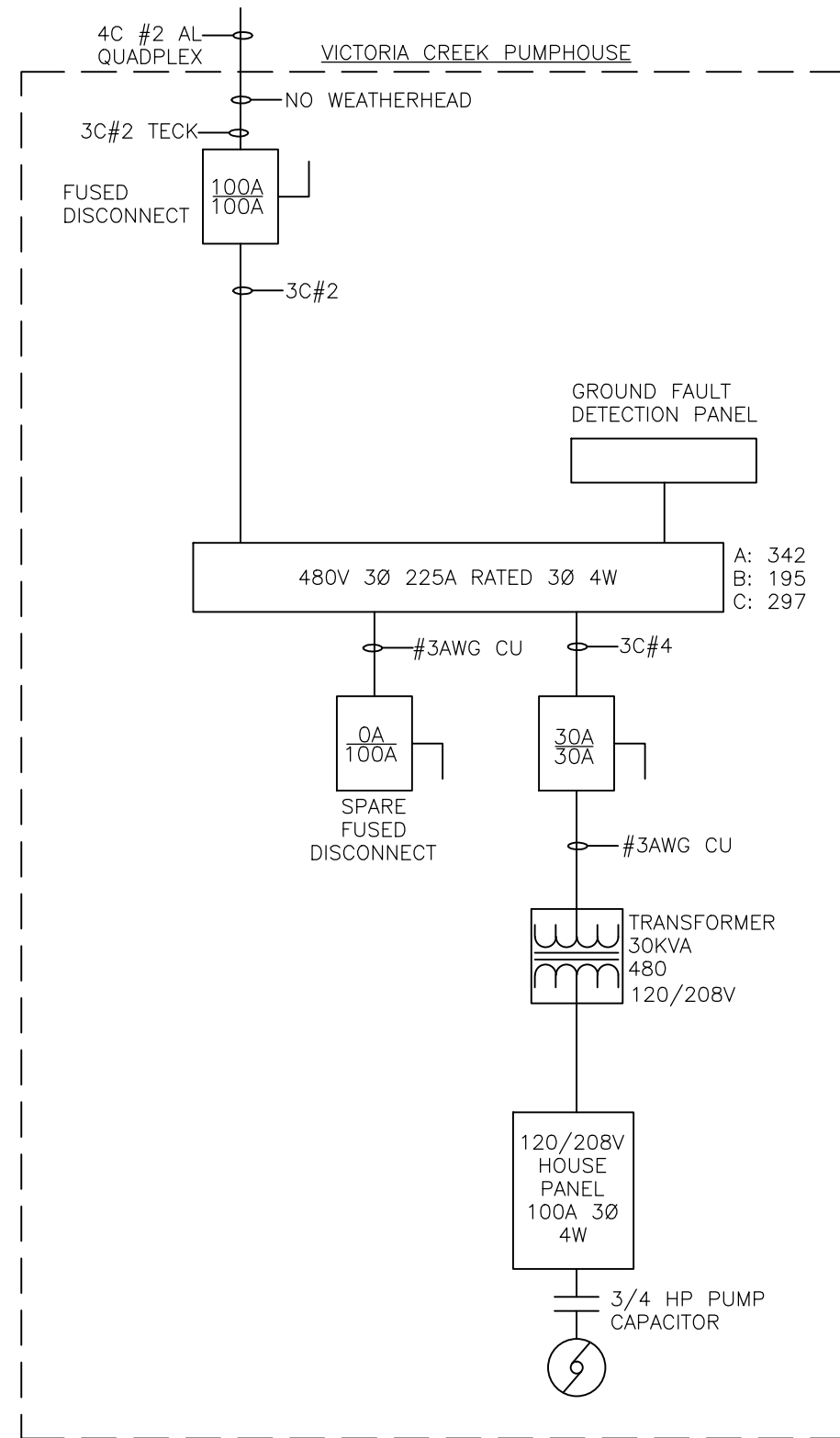
Figure No.

E03

Title

SHOP AND COOKSHACK

V:\1449\active\144901696\0400_elect\06_drawings\Full Single Line Diagram\Working\efp696.dwg
 2014/06/03 2:08 PM By: Youngs, Jordan



A: 342
 B: 195
 C: 297

01 VICTORIA CREEK PUMPHOUSE
 E-04 SCALE: NTS

ORIGINAL SHEET - ANSI B

March, 2014
 144901696



Stantec Architecture Ltd.
 107 Main Street, Suite 202
 Whitehorse YT Canada
 Y1A 2A7
 Tel. 867.633.2400
 Fax. 867.633.2481
 www.stantec.com

Legend

Notes

Record Drawing

These drawings have been prepared based on information provided by others. Stantec has not verified the accuracy and/or completeness of this information and shall not be responsible for any errors or omissions which may be incorporated herein as a result.

Client/Project

Mt. Nansen Electrical
 Whitehorse, YT

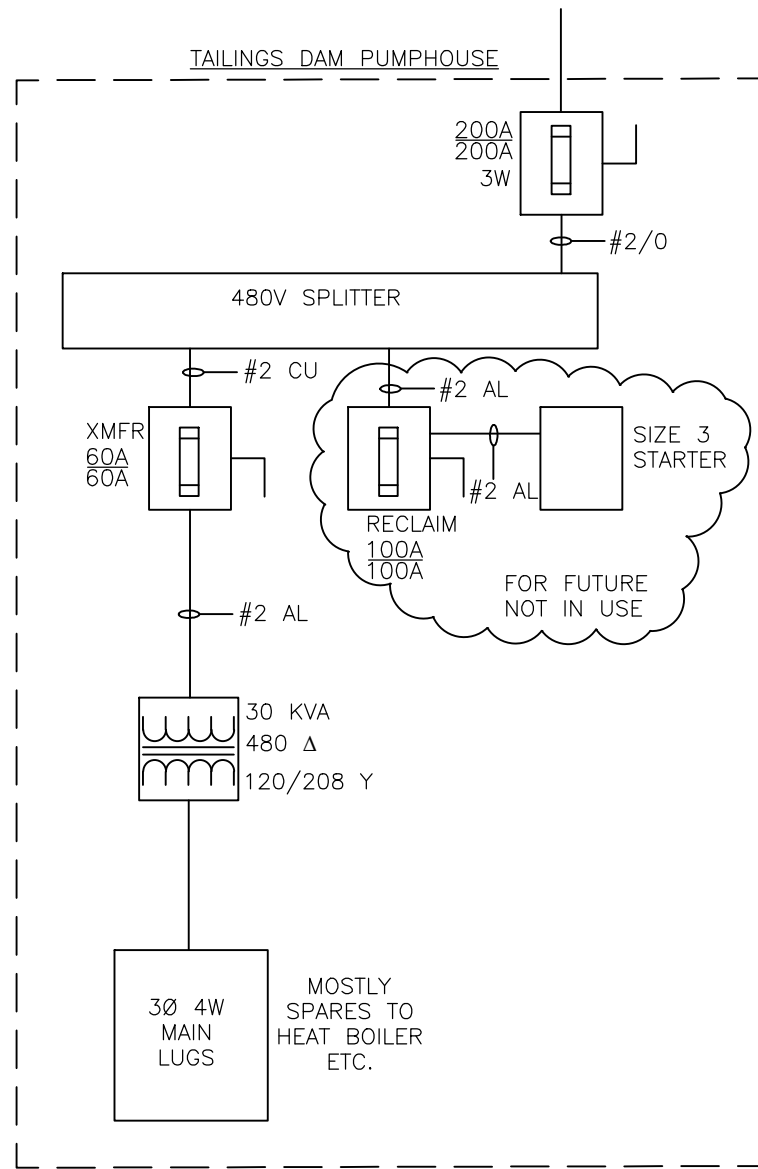
Figure No.

E04

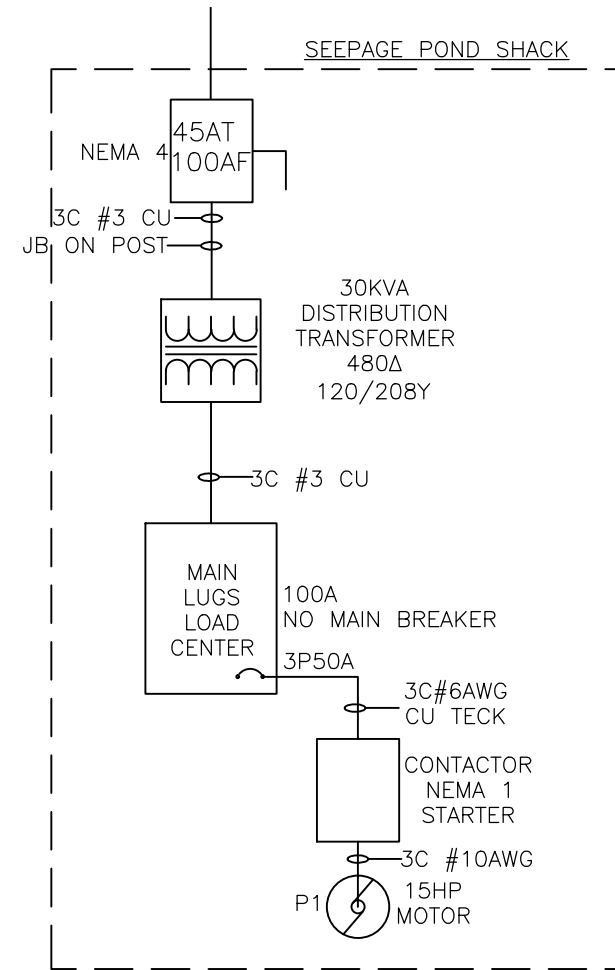
Title

VICTORIA CREEK PUMPHOUSE

V:\1449\active\144901696\0400_elect\06_drawings\Full Single Line Diagram\Working\efp696.dwg
 2014/06/03 2:08 PM By: Youngs, Jordan



01 TAILINGS DAM PUMPHOUSE
 E-05 SCALE: NTS



02 SEEPAGE POND SHACK
 E-05 SCALE: NTS

ORIGINAL SHEET - ANSI B

March, 2014
 144901696



Stantec Architecture Ltd.
 107 Main Street, Suite 202
 Whitehorse YT Canada
 Y1A 2A7
 Tel. 867.633.2400
 Fax. 867.633.2481
 www.stantec.com

Legend

Notes

Record Drawing

These drawings have been prepared based on information provided by others. Stantec has not verified the accuracy and/or completeness of this information and shall not be responsible for any errors or omissions which may be incorporated herein as a result.

Client/Project

Mt. Nansen Electrical
 Whitehorse, YT

Figure No.

E05

Title

**TAILINGS DAM PUMPHOUSE
 AND SEEPAGE POND SHACK**