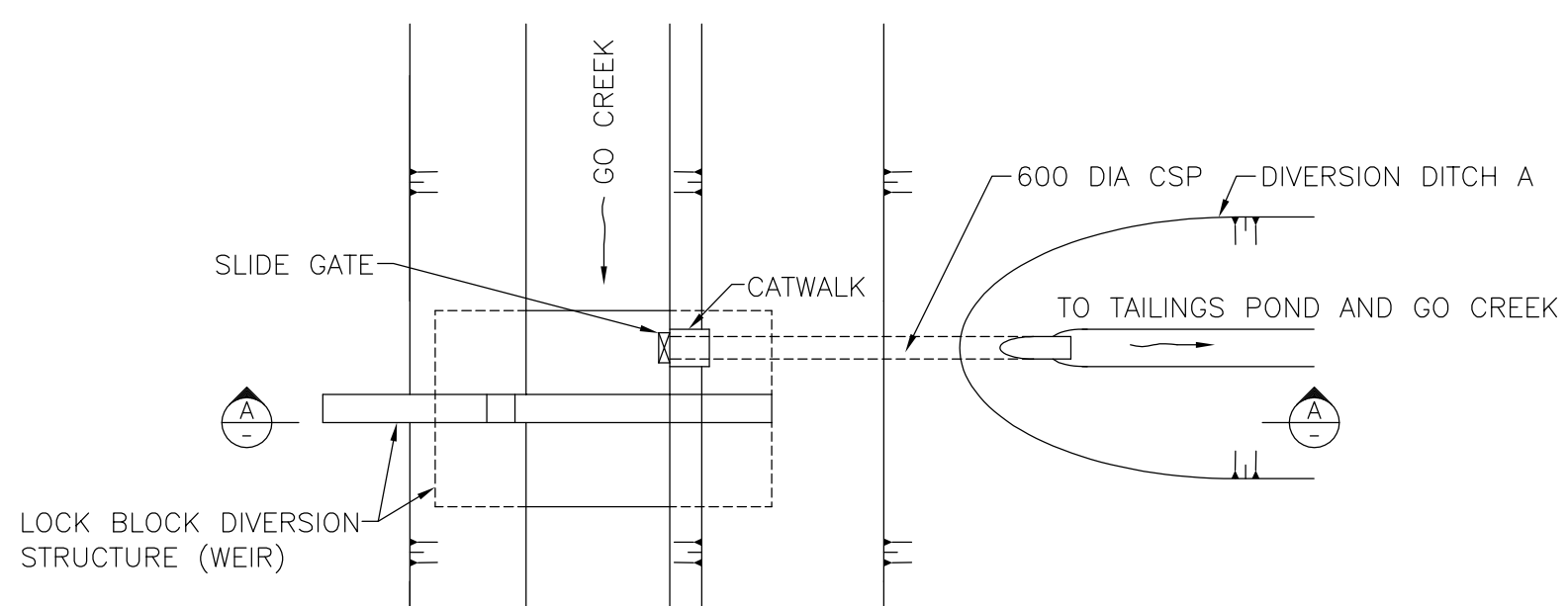
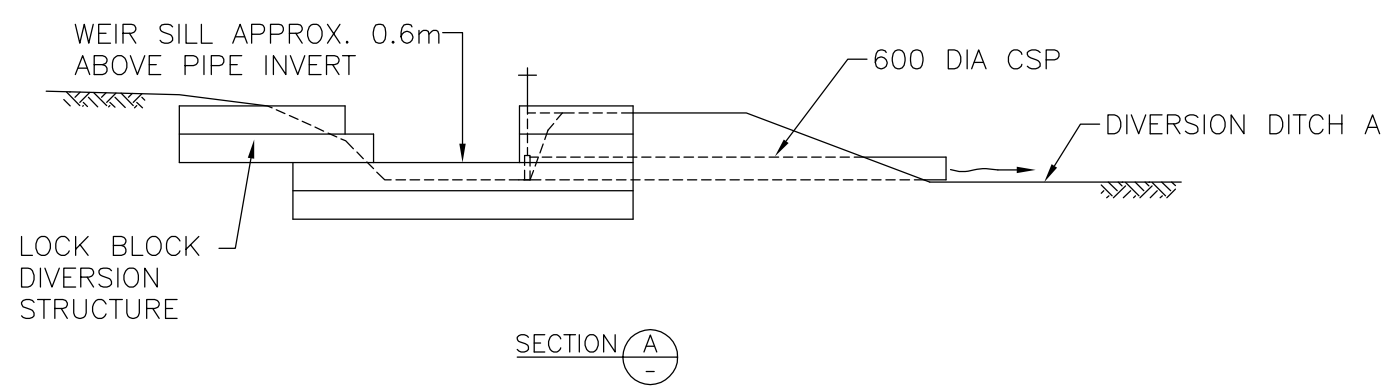


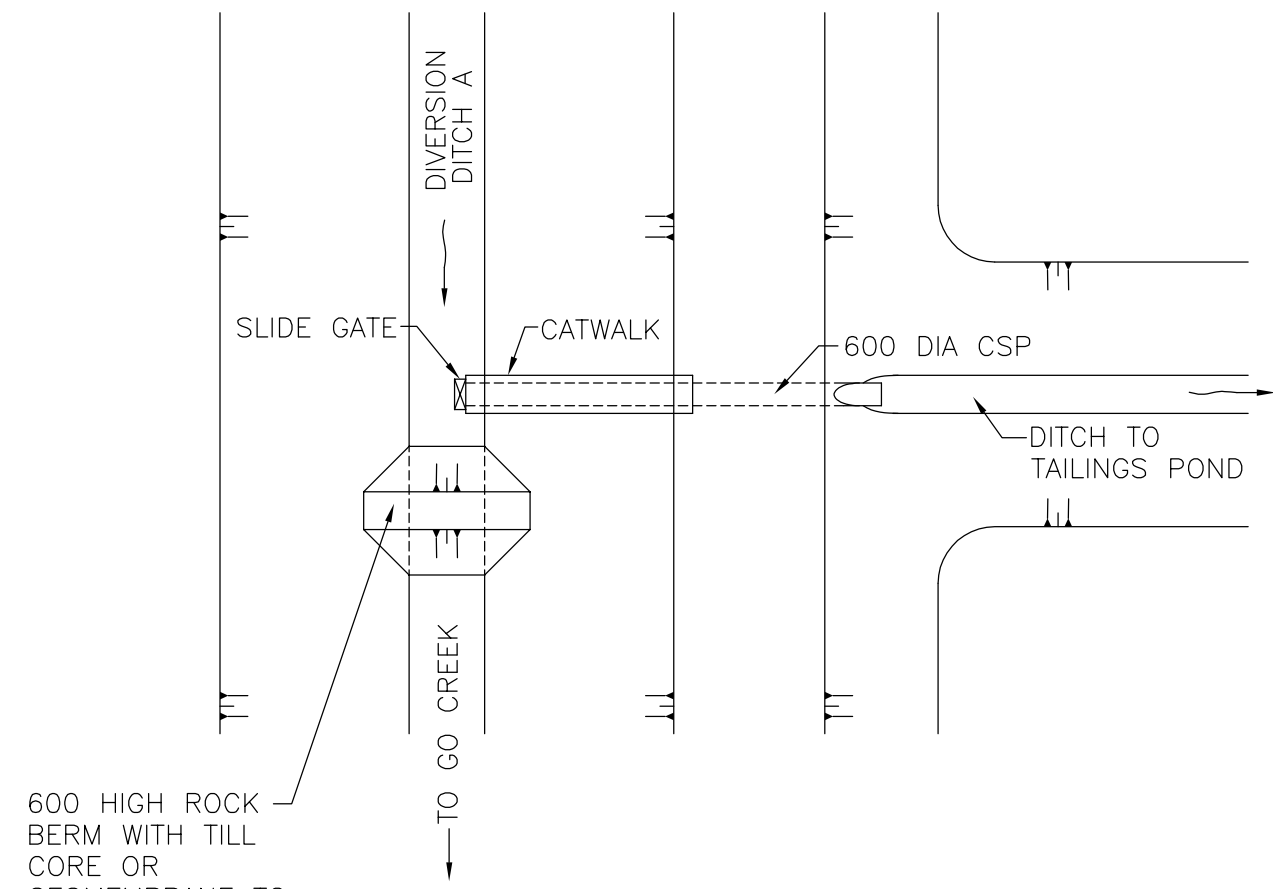
Time: 10:55:3
 Date: 10/5/2005
 Scale: 1=5(P5)
 Drawing File: M:\M09234A02-Wolverine Feasibility Design & Enviro. Assess\400 Design\410 Drawings\Year\Figure2.8-12
 Xrefs:



GO CREEK DIVERSION STRUCTURE
 PLAN



SECTION A






DITCH A DIVERSION STRUCTURE
 PLAN

NOTES

- 1. LAYOUTS SHOWN ARE CONCEPTUAL.

NOT FOR CONSTRUCTION

File Name: FIGURE 2.8-12.dwg		 Wolverine Project Figure 2.8-12 GO CREEK AND DITCH A DIVERSION STRUCTURES
Projection: UTM Zone 9, NAD 27	Date: OCTOBER 24, 2005	
Scale 1:200	Prepared By:	
		
Data Sources: Government of the Yukon, Yukon Zinc Corporation		